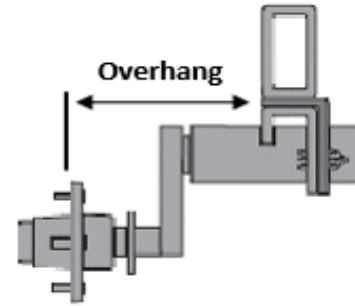




Dexter Torflex Axle Overhang 600lbs - 12,000lbs



Measure from Outside of Mounting Bracket to Hub Face
Min/Max is per side
For Idler models, use Drum measurement

Capacity	Model	Type	Min Drum	Min Disc	Max
600-1.1k	#8	Standard Spindle	6.00"	N/A	9.04"
		Short Spindle	4.75"	N/A	9.04"
1k-2.2k	#9	Standard Spindle	6.50"	N/A	10.90"
		Short Spindle	6.00"	N/A	10.90"
2.5k-3.5k	#10	Standard Spindle	6.30"	6.56"	11.80"
4k	#10F	Standard Spindle	6.30"	N/A	10.50"
3k	#10L	Standard Spindle	5.88"	N/A	13.76"
3.6k-6k	#11	Standard Spindle	7.50"	7.50"	10.22"
		Short Spindle	7.00"	7.50"	10.22"
5.5k-7k	#12	Standard Spindle (see notes)	7.50"	7.50"	15.20"
		Short Spindle (see notes)	7.00"	7.00"	15.20"
	#12T	Standard Spindle (see notes)	7.50"	7.50"	15.20"
		Short Spindle (see notes)	7.00"	7.00"	15.20"
5.5k-7.2K	#12V	Standard Spindle (see notes)	7.00"	N/A	14.77"
7k-8k	#13	Standard Spindle	9.00"	9.00"	21.50"
		Short Spindle	8.50"	8.50"	21.50"
	#13N	Special - <i>Small Drum</i>	7.08"	N/A	8.48"
	#13T	Standard Spindle (see notes)	9.25"	9.25"	12.25"
Short Spindle (see notes)		8.56"	8.56"	11.75"	
9k-10k	#13G	General Duty - 1 Piece Hub/Drum	10.11"	N/A	17.20"
		General Duty - 2 Piece Hub/Drum	11.35"	11.35"	17.20"
10k	#13D	HD Drum - Single Wheel	12.25"	N/A	17.20"
		HD Drum - <i>Track Width</i> , Dual Wheel	12.56"	N/A	17.20"
10k-12k	#14	Drum 12-1/4" X 5" (12k)	12.75"	9.19"	N/A
	#14T	Drum 12-1/4" X 3-3/8" (10k)	9.89"	9.19"	N/A

#12 & #12T Use different mounting brackets & hole measurements (See Dexter Catalog)

#12V Uses the same mounting brackets & hole measurements as the #12

#13N Has smaller brakes, 12-1/4" X 2-1/2" drums vs. standard 12-1/4" X 3-3/8" drums

#13T Standard Spindle, No bracket zone between 10.63" - 11.25"

#13T Short Spindle, No bracket zone between 10.13" - 10.75"

Triple axle installs are NOT recommended for most Torflex models

#12T, #13T & #14T Are the only models designed for triple axle applications

Refer to Dexter for additional specifications